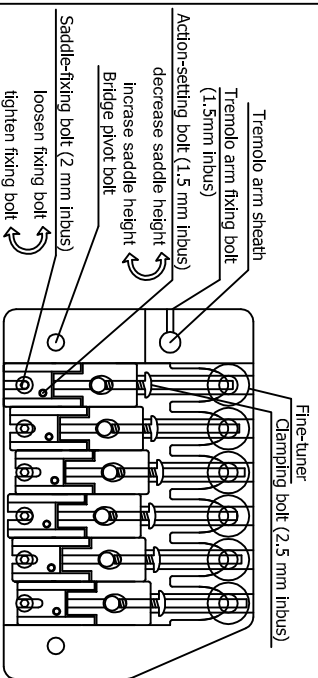


"T1000AL" double locking bridge on Fibenare® guitars



Changing strings:

- 1: Loosen the clamping bolts of the string at the nut and at the saddle with the 2.5mm inbus key provided with the guitar.
2. Loosen the string until it's slack.
3. Set the fine-tuner of the string to the middle of it's tuning range.
4. Cut the ball end off of the new string and place one end of the string into the center of the saddle.
5. Tighten the clamping bolt of the saddle until it is snug.
(Be careful not to overtighten the bolt! This can damage your bridge, and also can easily brake the string.)
6. Lace the other end of the string into the hole of it's machine head so that the string is under the nut clamp and the string-hold-down bar. Tune that string.
7. Repeat points 1-5 until all strings are replaced.
8. Tune your guitar.
9. Tighten the clamping bolts at the nut.
10. Now tune your guitar using your fine-tuners only.

Tuning:

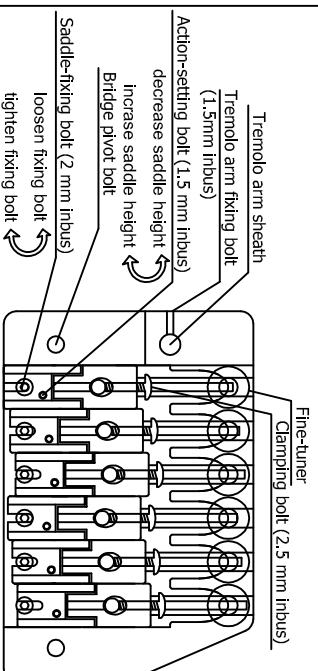
1. Loosen the clamping bolts at the nut.
2. Set the fine-tuners of the strings to the middle of their tuning range, and tune your guitar using the tuning keys only.
NOTE: By tuning strings one after another every previously tuned string change it's pitch. You can solve this problem by tuning the strings a little bit sharp (in case your strings are flat after you have tuned them one by one), or flat (in case your strings are sharp after you have tuned them one by one).
3. Tighten the clamping bolts at the nut.
4. Now tune your guitar using your fine-tuners only.

Bridge set-up:

This set-up usually needs to be done if you change to another gauge of strings or change your tuning, and is well recommended to be set by a guitar-technician.

1. Remove the tremolo plate on the back of the guitar by screwing off the six screws with a decent screwdriver.
2. Loosen the clamping bolts at the nut. Set the fine-tuners of the strings to the middle of their tuning range.
3. Tune your guitar using the tuning keys only.
4. Check the baseplate of your tremolo whether it's tilted forward away from the body or tilted back toward the body. In the first case you need to raise the tension of the tremolo springs by turning the spring claw screws clockwise. In the second case (when your tremolo is tilted back) you need to lower the tension of the tremolo springs by turning the spring claw screws counterclockwise.
5. Repeat points 3-4 until the baseplate of the tremolo is parallel to the top of the guitar and your guitar is in tune.
6. Tighten the clamping bolts at the nut.
7. Now tune your guitar using your fine-tuners only.

"T1000AL" double locking bridge on Fibenare® guitars



Action setting:

The truss rod must be set before action setting.

If your action is too high or too low for your taste, adjust the action with the two bridge pivot bolts using a proper screwdriver.

This adjustment will change the action of all strings (the radius of the bridge will not change).

Though the radius of the bridge is set properly in the factory according your compound fingerboard radius, you might want to set the action of individual strings. This can be done via the action setting bolts on each saddle.

1. Loosen the clamping bolts at the nut.
2. Loosen the string until it is slack.
3. Loosen the saddle fixing bolt, be careful not to move the saddle towards or away from the nut.
4. Turn the action-setting bolt on the saddle clockwise to increase saddle height, or counterclockwise to decrease saddle height.
5. Tighten the saddle fixing bolt.
6. Tune up the guitar and check the action.
7. Repeat this cycle until the action of the string is fine.

Intonating your "T1000AL" bridge

The truss rod and the action must be set before intonating your bridge.

1. Tune your guitar following the tuning instructions, and leave the clamping bolts untighten.
2. On one string at a time, play the harmonic over the 12th fret then play the fretted note. If the fretted note is flat compared to the harmonic, you need to move the saddle toward the nut until the harmonic and the fretted notes match. If the fretted note is sharp compared to the harmonic, you need to move the saddle away from the nut until the harmonic and fretted notes match.

NOTE: You can move the saddle after loosening it's fixing bolt. There are two holes for each saddle fixing bolt on the baseplate of the tremolo. You have to use that hole in which the saddle fixing bolt can clamp the saddle tight.

3. Tune your guitar.
3. Repeat points 2-3 on every string until all strings are intonated.
4. Tighten the clamping bolts at the nut.

